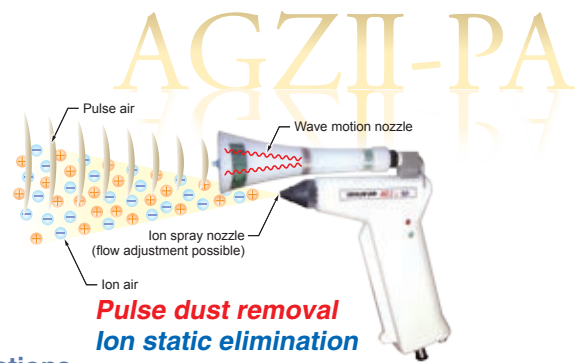


PIEZONIZER

Ion Blow Gun

PIEZONIZER **AGZII-PA**



Main Features

The PIEZONIZER AGZII-PA is a compact and lightweight air gun type ionizer that eliminates static electricity from charged objects as well as a wave motion nozzle feature to powerfully blow away dust attached by static electricity with pulses of air.

Specifications

Model	AGZII-PA
Input power supply	24VDC (with AC100~240VAC adapter)
Electric consumption	Approx. 100mA
Weight	Approx. 330g (when only the wave motion nozzle is attached)
Main unit dimensions	180×25×175mm (L×W×H) (when wave motion nozzle is attached)
Ozone density	0.04ppm (200mm from the nozzle hole)
Fluid used	Clean air
Air pressure	0.3~0.6MPa
Operating Environment	0~40°C (with no condensation)
Standard Part	Operation manual, AC adapter, connector cable, wave motion nozzle, adjustable flow nozzle

Pencil Type Ionizer

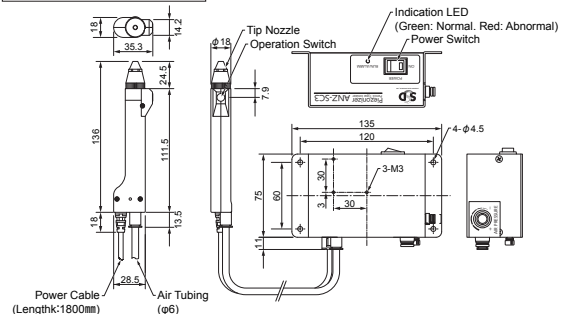
PIEZONIZER **ANZ-SC3**

ANZ-SC3

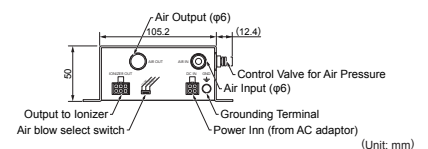


Dimension Diagram

ANZ Main Body



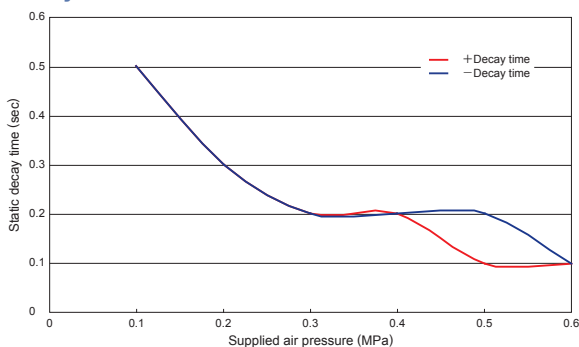
Controller Unit



Main Features

Model ANZ-SC3 is Pencil type air ionizer with compact power unit inside. The size is 18mm dia, the weight is just 95g as light and compact.

Static Decay Characteristics



Specifications

Model	ANZ-SC3
Input Voltage	DC24V (with AC adaptor for AC100~240V)
Indicator	Green: Normal, Red: H.V. Abnormal
Abnormal output	MOS FET Relay (non-Voltage contact, Normally close) (Maximum Voltage: 30VDC, 100mA) Normal: ON, H.V. Abnormal: OFF
Buzzer Alarm	When H.V. is abnormal, the buzzer is on.
Ion Balance	Under ±15V
Air Pressure Range	0.05~0.6MPa (with Speed Controller)
Air Consumption	Maximum 190ℓ/min
Air blow mode	Continuously blow, High speed Pulse (10Hz), Low Speed Blow (5Hz)
Ozone level	Under 0.04ppm (150mm from the nozzle hole)
Dimensions	φ18×154mm (ANZ), 135×50×75mm (W×H×D) (Controller)
Weight	95g (ANZ), 570g (Controller)
Available Temperature	0~40 Degree/ 65%RH or less (no condensation)
Available Humidity	15~65% (Without condensation)
Standard Part	ANZ nozzle (with cable), Controller, AC Adaptor (AC100~240V), Grounding Cable, Air tubing, Abnormal output cable, Manual
Optional part	Air Pressure Gauge
Nozzle Application	Same as ZappII

*The life time of solenoid valve inside this controller will be for 50 million time.